



“LIFT-OFF” PIPE SUPPORTS PRODUCT OVERVIEW

Next Generation Pipe Support and Corrosion Barrier

August 2019



“Lift-Off” Pipe Supports- Development

Current Generation

- Pipe and pipe support corrosion at the point load
- Failing pipe supports
- High life cycle cost
- High TIC

- Trapped Water
- Water absorption
- Electric conductivity
- Material degradation
- Flammable
- Reactive

“Lift-Off” Pipe Supports: design parameters

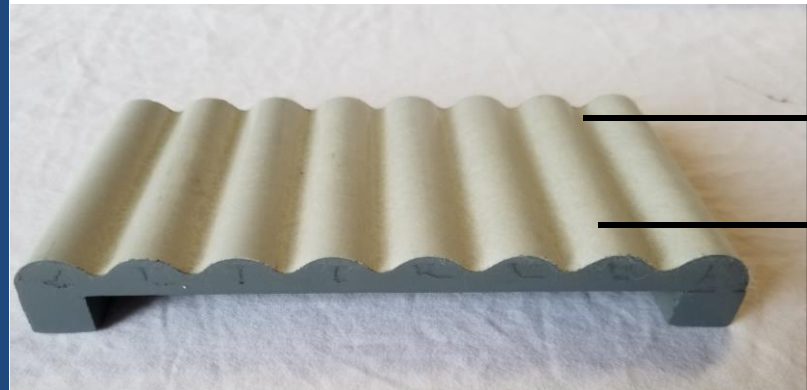
- Eliminate Corrosion
- Provide better support
- Easy to Install
- Quality / Dependable Delivery
- Lower life cycle cost
- Non-bolting/screws.
- Electrical isolation
- High loads
- Low μ

Our “LOR” Solution

- High strength isolating composite material
- Synthetic resins combined with glass reinforcements
- Innovative Design to address performance
- Proven Installations
- Patented design
- Low TIC
- Custom designs
- $\mu = 0.11$ (pipe to LOR)
- $\mu = 0.8$ (LOR to base)
- UV protected



Lift Off Pipe – LOR Pipe Support



Troughs drain water

Lobes spread the load



Guides maintain alignment, when installing.

Rough coat maintains position



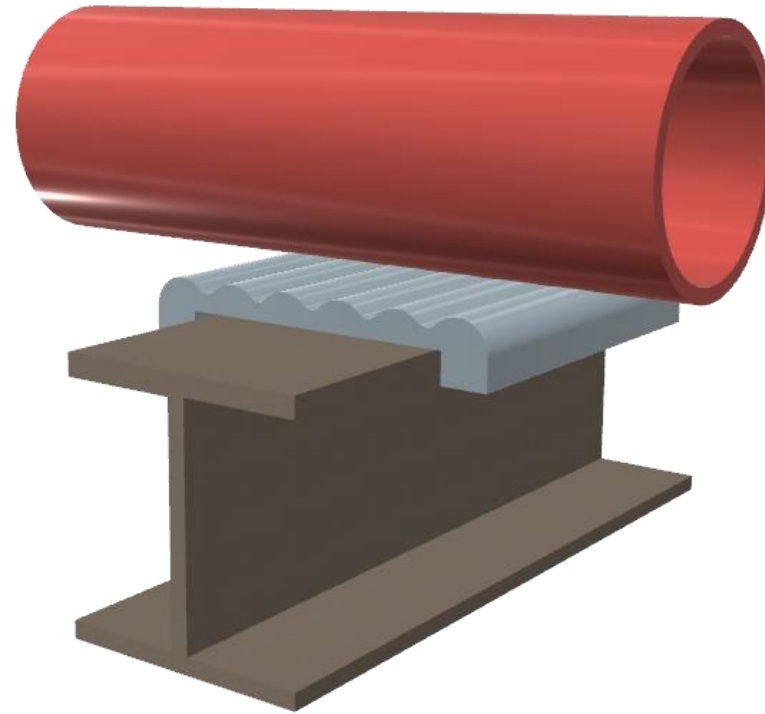
Simple “set and forget” pipe support and corrosion barrier

High Spec Composite Material

- High Tensile Strength – Will not extrude
- Non-Conductive – Does not promote electrolysis
- Non-Flammable
- Non-Reactive – Inert to most chemicals
- Beam sizes up to 14”
- Pipe sizes up to 48”
- Ease of Installation – Lift, Set, Lower, Next
- Colored for service



Standard LOR design:



Pipe On Pipe Separation Barriers: Lift-Off Rest Pipe (LORP)

- This development came about from various clients requiring a separation between the various elements and mitigating corrosion on both surfaces.
- We manufacture the LORP to suit various sizes of support trestle/bent pipe diameters.
- Does not require any particular fixing method, but epoxies, bolting and other forms may be used, but not required, unless lines are subject to pulsation and vibration.





Lift-Off Pipe Support Separation Barrier Lift-Off Rest U-Bolt Application (LORA)

- LORA applies to U-Bolt or guide applications.
- Used where separation between the line and support steel is a requirement.
- Low profile with our standard 1/2" low profile barrier.
- Supplied with a single or double heavy-duty U-Bolt configuration.



Lift Off Pipe – Material Specifications

General Information		Procedure	Specifications
Color			Blue
Max Service Temp			550°F (288 C) Intermittent
Low Service Temperature:			-265°F (-165°C)
Continuous Use Temp			412°F (211°C)
Form			Profile
Mechanical Properties			
Flexural Strength	ASTM D790		31,000 psi
Tensile	ASTM D638		>11,000 psi
Compressive Strength @ 75° F (24° C)	ASTM D695		49,000 psi
Compressive Modulus	ASTM D695		1,800,000 psi
IZO Impact Strength (notched)	ASTM D256		8 Ft. lb./in.
Flexural / Bending Strength	ASTM D790		29,000 psi
Physical Properties			
Water Absorption	ASTM D570		0.2% by weight
Specific Gravity	ASTM D792		123 lbs./ft ³
Coefficient of Thermal Expansion			
Across Thickness	ASTM D696		11.62 ln/ln°C x 10 ⁵
Across Surface	ASTM D696		2.21 ln/ln°C x 10 ⁵
Thermal Conductivity	ASTM C177		Ca. 0.30 W/m°K
Flame-Resistance Properties			
UL Subject 94	UL 94		HB
NOTE: The above values are measured and are believed to be accurate. However final determination regarding the suitability of material should be evaluated by the end user.			



Lift Off Pipe – Company Model

- Patented material and design
- Manufacturing process
 - *Blanks produced to specified widths*
 - *Final profiles cut and finished*
 - *Packed and shipped worldwide*
- Design support and site services
- Mechanical; Durability and integrity specialists
- Installation support: Marine, Storage, Refining, Chemical
- Inspection; spares; logistic services

Innovative, Dependable, pipe supports and corrosion barriers



“Lift-Off” Pipe Supports

2524 Edgewood Lane

Lake Charles, LA 70605

Tel: +1 337 515 8590

<https://www.liftoffpipe.com>

Email: info@liftoffpipe.com