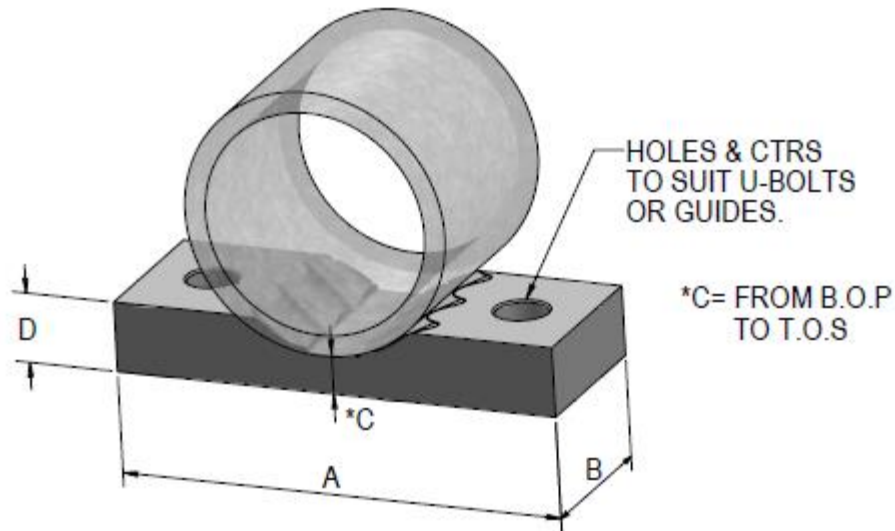




# “Lift-Off” Hurricane Supports™ (LOH)



PIPE SIZE	MODEL	A	B	C	D	Wt. (lbs)
2"	2LOH	4"	1 1/2"	3/8"	5/8"	1.00
3"	3LOH	6"	2"	3/8"	3/4"	2.00
4"	4LOH	6 1/2"	2"	3/8"	3/4"	2.50

- **SELF-DRAINING PIPE SUPPORT DESIGN**
- **Specifically designed for 2 through 4 inch pipes, requiring U-bolt applications.**
- **Suitable for loads up to 15,000 lbs.**
- **Manufacturing Spec: MSS SP-58.**
- **Coefficient of Friction is 0.08.**
- **Lift-off complies with DOT and other specifications.**
- **Material: - Carbon, Low and High Alloy, Polymers.**
- **Coatings: Galvanizing, Powder and other dry lubricating coatings available.**
- **Can be welded, machined and fitted “without hot work”.**
- **Substantial cost saving compared to similar supports (more than double).**
- **All components designed and manufactured in the USA.**
- **Can be supplied with anti-vibration pads and isolation kits.**
- **For lines 6 “and larger, we prefer to use our LOB/LOV series of pipe supports.**

